

14cm Built-in warming drawer with adjustable temperature, push to open with soft closing drawer and fan assisted heat circulation.

RRP AUS \$1,249.00



Product Details

FEATURES

Adjustable temperature between 40-80C

Push to open, soft closing drawer

Fan forced heating

Quick set function

Full drawer extension

Electronic touch controls

BENEFITS

Absolute heat control

With five temperature selections between 40C and 80C and three separate functions, you can heat everything from delicate glassware to heavy cookware.

Effortless to use

With a push-to-open, soft closing drawer and full drawer extension, you'll love how simple it is to use especially when your hands are full. For added safety, it also stops heating automatically when the drawer is open.

Say goodbye to cold dishes.

Ensure your delicious dishes are ready for serving with one of our warming drawers. They complement our compact built-in appliances beautifully.

Seamless support act.

Pair the drawer with a 45cm built in combi microwave to allow for perfect alignment with your conventional, full-sized oven so everything looks seamless in your kitchen.

Specifications

PRODUCT PROFILE

Domestic warranty details (yrs)	2
---------------------------------	---

Type of Oven	compact oven
--------------	--------------

EXTERIOR

Exterior Finish	Dark stainless steel
-----------------	----------------------

Push to open drawer system	yes
----------------------------	-----

Cabinet finish	stainless steel
----------------	-----------------

Installation	Built in
--------------	----------

Soft close door	Yes
-----------------	-----

DIMENSIONS

PRODUCT

Total height (mm)	141
-------------------	-----

FEATURES

Features	Cups & Glass warming (40d °C), Plate Warming (60d °C), Fan air circulation, On/Off LED, Anti-slip mat, Adjustable temperature range 40-80°C, Operating indicator light, Thermal cut out, Overheat protection
----------	--

SPECIFICATIONS

Power	Plug
-------	------

Maximum Power Rating (W)	1000
--------------------------	------

FLUSH

Cut out height (mm)	141
---------------------	-----

Cut out width (mm)	600
--------------------	-----

Total width (mm)	595
------------------	-----

Total depth (mm)	541
------------------	-----

Cut out depth (mm)	541
--------------------	-----

SHIPPING

Shipping Volume (m3)	0.10
----------------------	------

Shipping Weight (Kg)	21.0
----------------------	------

Pack dimensions height	210
------------------------	-----

Pack dimension width	705
----------------------	-----

Pack dimension depth	675
----------------------	-----

STUFFING QUANTITIES

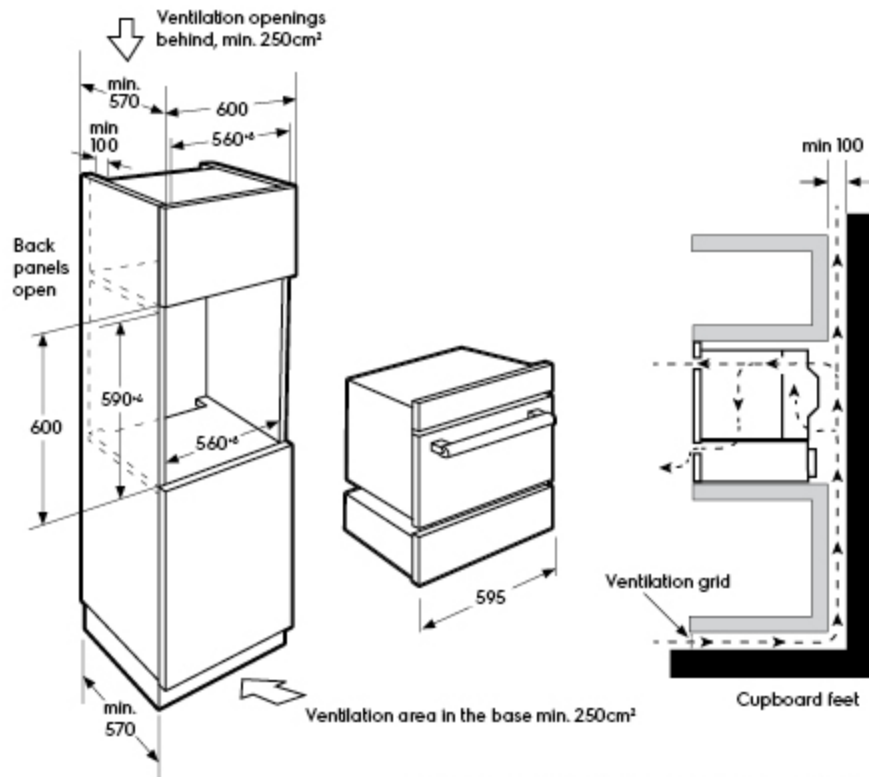
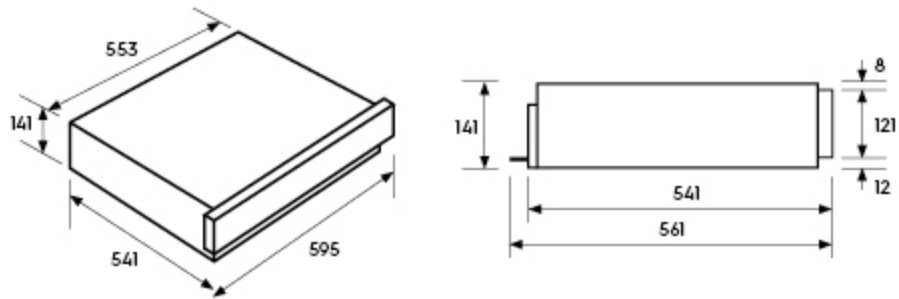
20ft	297
------	-----

40ft	594
------	-----

40ft HC	594
---------	-----

Dimensions

Model:
EWD1402DSD



Please note! Dimensions to be used as a guide only. All customers MUST refer to the user manual supplied with the product for detailed installation instructions.

Terms and Conditions

IMPORTANT

This is a guide of product dimensions only. For complete installation instructions, refer to the manual provided with product.

PRODUCT INFORMATION

The descriptors and illustrations in this publication apply to the specific products and models described as at the date of issue. Under our policy of continuous product development, product specifications may change without notice. Prospective purchasers should therefore check with their retailer to ensure this publication correctly describes the products that are being offered for sale. All information supplied is to be used for general reference purposes only and is on the understanding that Electrolux Home Products Pty Ltd (Australia) and Electrolux (NZ) Ltd (New Zealand) will not be liable for any loss, liability or damage of whatever kind arising as a result of reliance on such information. Colours of products illustrated are as close as printing limitations allow. Electrolux will at all times comply with its obligations pursuant to law including Trade Practices (Australian Consumer Law) Act and Regulations.

WARRANTY

This warranty only applies to Appliances purchased and used in Australia or New Zealand and used in normal domestic applications and is in addition to (and does not exclude, restrict, or modify in any way) any non-excludable statutory warranties in Australia or New Zealand. All warranties are subject to the conditions set out in the warranty card accompanying the product when purchased.

ELECTROLUX HOME PRODUCTS AUSTRALIA

telephone: 1300 363 640

fax: 1800 350 067

email: customercare@electrolux.com.au

web: www.electrolux.com.au

ELECTROLUX HOME PRODUCTS NEW ZEALAND

telephone: 09 573 2230

fax: 09 573 2221

email: customercare@electrolux.co.nz

web: www.electrolux.co.nz