



MULTITAP™ 3N1. COOL, HOT AND STEAMING HOT WATER

The reasons we fall in love with Italian products is their Passion and Purpose and Multitap is a testament to this commitment. We are proud to be able to now offer instant steaming hot water as a function of a standard kitchen tap mixer. Designed and manufactured in Italy this high quality tap brings contemporary style to new and existing kitchen spaces.

MultiTap™ 3N1

- Instant steaming hot water as well as regular cool and hot water from the one tap
- Elegant one piece design
- Allows for a more efficient use of space and time
- Safety locking mechanism

NeoTank™

- Precise temperature control: $\pm 0.5^{\circ}\text{C}$ ($\pm 09^{\circ}\text{F}$),
- 100% welded and brazed hot water tank designed with no seals
- Touch-panel display, with electronic thermostat and trouble-shooting fault Indicators
- Dry start protection
- The 2.5L capacity allows the consumer to heat only what they need while conserving energy for environmental stewardship.



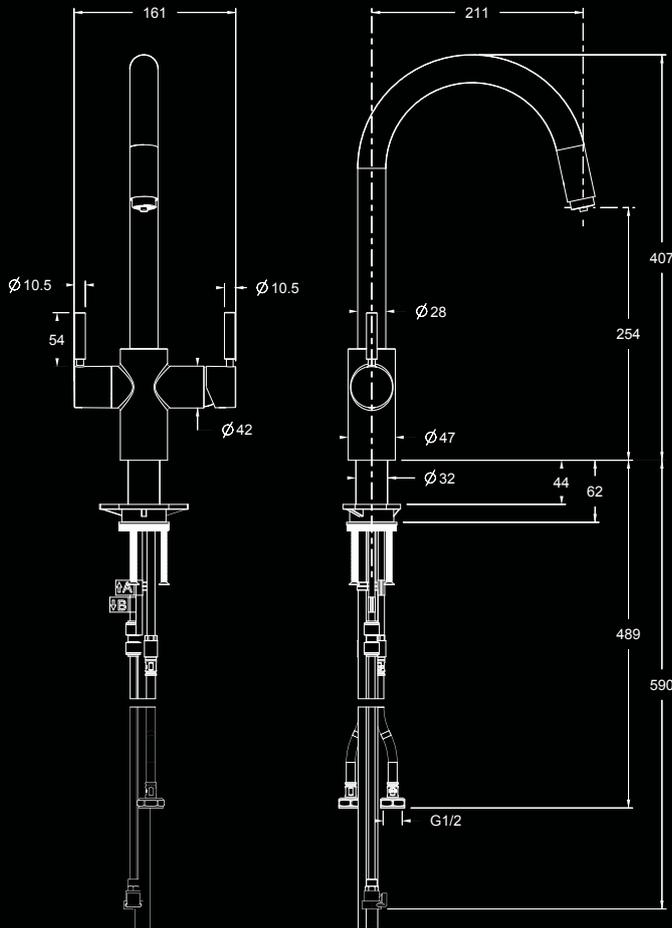
WMK26238

MULTI RUBINETTO

**MULTITAP™ 3N1
J-SHAPE
SPECIFICATION SHEET**



DIMENSIONS (MM)



SPECIFICATIONS:

- Required hole 35mm
- Required supply pressure (cold): 172-862kPa (1.7-8.6 bar) (25-125 psi)
- Required supply pressure (hot): 50kPa (0.5 bar) (7 psi)
- 5 year parts and labour limited warranty on tap and 2 years on tank

Visit www.multitap.com.au to find out more information about this exclusive collection and find stockists.

To review the entire range of InSinkErator Hottaps™ and Multitaps™ visit www.insinkerator.com.au



WMK26238

InSinkErator. 471 Mountain Hwy, Bayswater VIC 3153.
Australian Sales Tel: 1300 136 205, Fax: 03 9720 3178.

InSinkErator reserves the right to change product specifications without prior notice.
All products are for household use: usage in commercial situations is not covered by warranty.

The Emerson logo is a trademark and service mark of Emerson Electric Co.
InSinkErator is a division of Emerson Electric Co.



Find us on facebook at facebook.com/insinkeratorAU



EMERSON™