

**4.5kg vented tumble dryer comes with anti-tangling reverse tumbling action for even drying results. Other features include time drying and a delicates setting.**

RRP AUS \$499.00



## Product Details

### FEATURES

---

Front lint filter

Child safety lock door

Easy to use rotary dial control

Time drying

---

Front or rear venting

Wall mounting kit included

---

### BENEFITS

---

#### Reverse Tumbling Action

Tumble action alternates clockwise to anti-clockwise, reducing clothes tangling and bunching together, so they dry more evenly.

#### Delicates setting

The lower temperature setting ensure your delicates are dried gently and effectively.

---

#### Auto cool down

The auto cool down forms a part of the final drying cycle. This reduces creasing of clothes and provides a safety feature.

---

## Specifications

### PRODUCT PROFILE

|                                 |                            |
|---------------------------------|----------------------------|
| Domestic warranty details (yrs) | 2                          |
| Dryer Type                      | Exhaust venting front/rear |
| Capacity (Kg)                   | 4.5                        |
| Wall mount option               | yes                        |

### ENERGY

|                              |     |
|------------------------------|-----|
| Energy Star Rating New       | 1.5 |
| Energy Star Rating           | 1.5 |
| Energy consumption (KWhr/yr) | 219 |

### BUTTON FUNCTIONS

|                      |  |
|----------------------|--|
| Reminder/ Indicators | progress indicator   |
| Functions            | power/on/off, delicate, auto cool down, time dry, reverse tumbling drum action |

### DIMENSIONS

|                   |     |
|-------------------|-----|
| Total height (mm) | 795 |
| Total width (mm)  | 600 |
| Total depth (mm)  | 520 |

### CONTROLS

|                       |                   |
|-----------------------|-------------------|
| Type of controls      | rotary            |
| Options available     | delicates setting |
| Fabric type selection | delicate, normal  |

### DRYING PROGRAMS

|                 |  |
|-----------------|--|
| Drying Programs | timed programs                                       |
| Venting         | optional rear venting, directional front vent grille |

## DOOR

---

|      |                  |
|------|------------------|
| Type | See through door |
|------|------------------|

---

|                   |       |
|-------------------|-------|
| Dryer Door colour | white |
|-------------------|-------|

---

|             |                    |
|-------------|--------------------|
| Door safety | door safety switch |
|-------------|--------------------|

---

## TECHNICAL

---

|                     |     |
|---------------------|-----|
| Service cord length | 1.8 |
|---------------------|-----|

---

|                            |       |
|----------------------------|-------|
| Dryer Lint filter position | front |
|----------------------------|-------|

---

|                     |      |
|---------------------|------|
| Dryer Element watts | 2100 |
|---------------------|------|

---

|                                |     |
|--------------------------------|-----|
| Dryer Safety thermostat heater | Yes |
|--------------------------------|-----|

---

## STUFFING QUANTITIES

---

|         |     |
|---------|-----|
| 40ft HC | 228 |
|---------|-----|

---

## CABINET

---

|                |       |
|----------------|-------|
| Cabinet Colour | white |
|----------------|-------|

---

|                  |                          |
|------------------|--------------------------|
| Cabinet material | painted galvanized steel |
|------------------|--------------------------|

---

## SHIPPING

---

|                      |      |
|----------------------|------|
| Shipping Volume (m3) | 0.29 |
|----------------------|------|

---

|                      |      |
|----------------------|------|
| Shipping Weight (Kg) | 26.6 |
|----------------------|------|

---

|                             |     |
|-----------------------------|-----|
| Pack Dimensions Height (mm) | 830 |
|-----------------------------|-----|

---

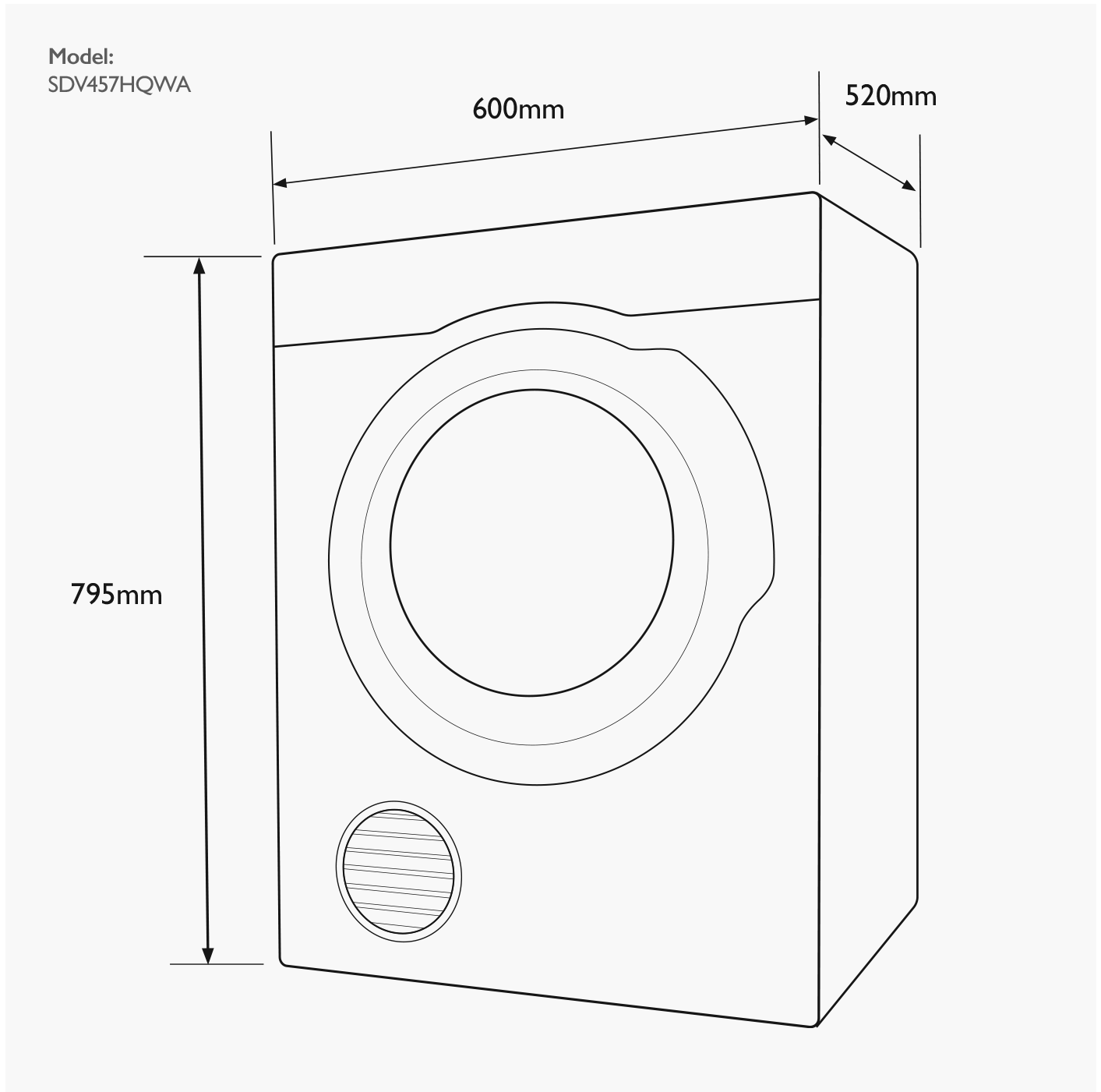
|                           |     |
|---------------------------|-----|
| Pack Dimension Width (mm) | 630 |
|---------------------------|-----|

---

|                           |     |
|---------------------------|-----|
| Pack Dimension Depth (mm) | 560 |
|---------------------------|-----|

---

## Dimensions



# Terms and Conditions

## IMPORTANT

This is a guide of product dimensions only. For complete installation instructions, refer to the manual provided with product.

## PRODUCT INFORMATION

The descriptors and illustrations in this publication apply to the specific products and models described as at the date of issue. Under our policy of continuous product development, product specifications may change without notice. Prospective purchasers should therefore check with their retailer to ensure this publication correctly describes the products that are being offered for sale. All information supplied is to be used for general reference purposes only and is on the understanding that Electrolux Home Products Pty Ltd (Australia) and Electrolux (NZ) Ltd (New Zealand) will not be liable for any loss, liability or damage of whatever kind arising as a result of reliance on such information. Colours of products illustrated are as close as printing limitations allow. Electrolux will at all times comply with its obligations pursuant to law including Trade Practices (Australian Consumer Law) Act and Regulations.

## WARRANTY

This warranty only applies to Appliances purchased and used in Australia or New Zealand and used in normal domestic applications and is in addition to (and does not exclude, restrict, or modify in any way) any non-excludable statutory warranties in Australia or New Zealand. All warranties are subject to the conditions set out in the warranty card accompanying the product when purchased.

### ELECTROLUX HOME PRODUCTS AUSTRALIA

telephone: 1300 363 640

fax: 1800 350 067

email: [customercare@electrolux.com.au](mailto:customercare@electrolux.com.au)

web: [www.electrolux.com.au](http://www.electrolux.com.au)

### ELECTROLUX HOME PRODUCTS NEW ZEALAND

telephone: 09 573 2230

fax: 09 573 2221

email: [customercare@electrolux.co.nz](mailto:customercare@electrolux.co.nz)

web: [www.electrolux.co.nz](http://www.electrolux.co.nz)